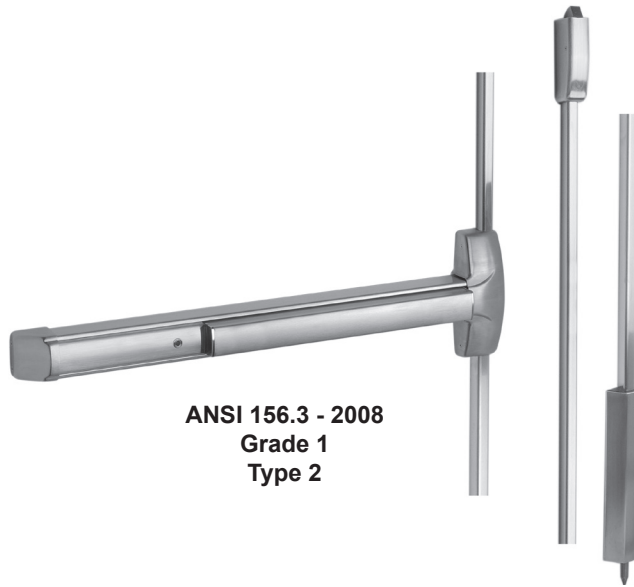




## 20 SERIES

### Surface Vertical Rod Device

The 20 Series **surface vertical rod exit device** is super-heavy-duty **panic** and **fire exit hardware** for use on all types of double doors without a mullion. All 20 series SVR exit devices are supplied with top and bottom rod covers and an ADA compliant ramped bottom bolt cover. The patented mounting plate and strike locator system ensures the easiest and most accurate installation of panic hardware available.



**ANSI 156.3 - 2008  
Grade 1  
Type 2**

#### Benefits -

- Tough and durable design for years of trouble-free service in high-use, high-abuse environments
- Fast and accurate installation
- Minimal door prep saves time and money
- Outside trims are easily changed or rekeyed without removing device from door
- Security enhanced by stainless steel rod covers, standard

#### Features -

- Patented mounting plate and strike locator system replaces paper templates
- Stainless steel deadlocking, Pullman-type top latch
- Hardened steel bottom drop bolt with dust proof strike
- ADA ramped bottom bolt cover
- 1/8 turn hex or cylinder dogging
- All exposed surfaces are finished over stainless steel with PVD, an environmentally friendly finishing process
- Heavy-duty angled end-cap deflects damage away from device
- Handed - field reversible
- Field sizeable

#### Mechanical Options -

- F - 3 Hour Fire Rated
- HD - Hex Dogging (Std.)
- CD - Cylinder Dogging
- LD - Less Dogging
- 36 - Fits 36" Door Widths (Std.)
- 48 - Fits 48" Door Widths
- 84 - 84" Door Height (Std.)
- 96 - 85" to 96" Door Height
- 120 - 97" to 120" Door Height

#### Electrical Options -

- Exit Alarm (EA)
- Electric Dogging (ED)
- Electric Integration (EI)
- Electric Latch Retraction (ER)
- Delayed Egress - Self Contained (EE)
- Delayed Egress with Latch Retraction (EExER)
- Electric Unlock (EU)
- Request to Exit (EX)
- Request to Exit for High Voltage (EXV)
- Request to Exit Weatherized (EXxW)
- Request to Exit Weatherized for High Voltage (EXVxW)

Refer to Electrified Options section for more information



## Accessories -

- GB3 - Glass Bead Kit - 7' Door Height (84")
- GB7 - Glass Bead Kit - 8' Door Height (85" - 96")
- GB11 - Glass Bead Kit - 10' Door Height (97" - 120")
- SN1 - Sex Nut Kit (2 per package)
- SSK- Security Torx Screw Kit
- Trim Functions (see Outside Trims)
- Electrified Options (see Electrified Options)

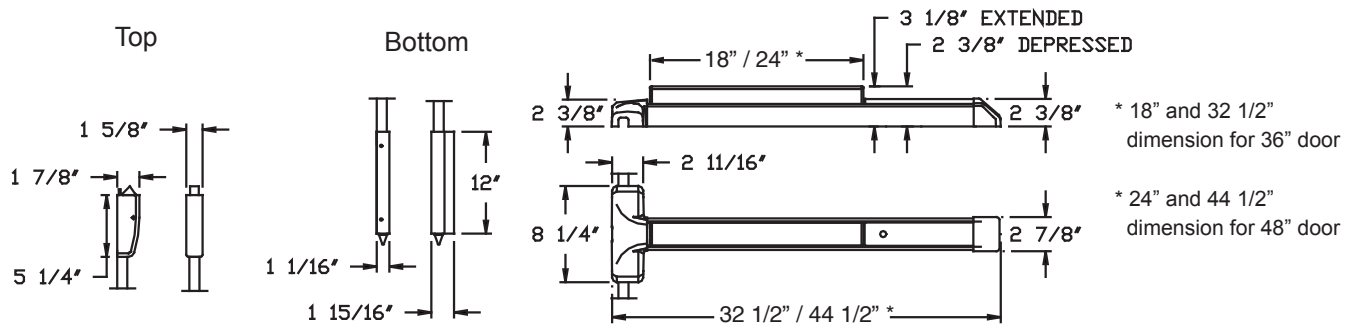
## Technical Information -

- Door Types - Wood, Hollow Metal, Fiberglass or Aluminum
- Door Thickness - Fits standard 1-3/4" - 2-1/4" doors (for other door thicknesses contact factory)
- Minimum Stile - 4-1/2" with standard 97 strike
- Fasteners - Machine and Self-Drilling Screws standard

## Finishes -

605 / US3	Polished Brass	628 / US28	Aluminum Satin	693 / SPBLK	Black, Painted
606 / US4	Brushed Brass	629 / US32	Polished Stainless Steel	695 / SP 313	Dark Bronze, Painted
611 / US9	Polished Bronze				
612 / US10	Brushed Bronze	630 / US32D	Brushed Stainless Steel		
613 / US10B	Oil Rubbed Bronze				

## Dimensions -



## Listings and Approvals -



UL Listed  
Panic Hardware

LISTED

UL Listed Fire Exit Hardware  
for 3 hours, maximum  
4'x10' single doors and  
8'x10' pairs of doors



LISTED



Meets ADA requirements



ULC 97, Standard 7-2 and  
UL10C for positive pressure



ANSI/BHMA certified A156.3



Meets NFPA 80 & 101  
for Life Safety



California State Fire Marshal -  
4140-0127:105 and  
3725-0127:108

## Detex Limited Warranty -

10 Year Mechanical/3 year Electrical  
Limited Manufacturer's Warranty

*Where Trust is Built™*  
**DETEX®**  
*Life Safety and Security Door Hardware*

Detex Corporation  
302 Detex Drive  
New Braunfels, Texas 78130-3045 USA  
PH. (830) 629-2900  
(800) 729-3839  
FAX (830) 620-6711  
(800) 653-3839  
<http://www.detex.com>  
USA Sales:  
[marketing@detex.com](mailto:marketing@detex.com)  
International Sales:  
[export@detex.com](mailto:export@detex.com)